

PLO SPECIFICATIONS

Output Frequency

| | | | |
|---|---|---|------|
| Frequency: | 25.0 GHz | | |
| Frequency stability and accuracy | | | |
| <input checked="" type="checkbox"/> External reference unit | Same as input | | |
| <input type="checkbox"/> Internal reference unit | ±0.5 PPM (over temp range) | | |
| Aging (After 2 months): | ±1 PPM max per year @ 25°C | | |
| Adjustability (typ.): | 10 years | | |
| Phase noise in dBc/Hz (typ.): | | Typ. | Max. |
| | L(10 Hz) | -60 | |
| | L(100 Hz) | -70 | |
| | L(1 kHz) | -75 | |
| | L(10 kHz) | -75 | |
| | L(100 kHz) | -80 | |
| | L(1 MHz) | -115 | |
| | L(10 MHz) | -125 | |
| Spurious (max.): | -60 dBc | | |
| Harmonics / Sub-Harmonics (typ.): | -20 / -20 dBc | | |
| Power out (min.) @ 25°C: | +13 dBm | | |
| Power variation (freq. & temp.) (max.): | 2 dB | | |
| Load VSWR (max.): | 2:1 | | |
| Phase-lock indicator (LD), High = lock: | <input type="checkbox"/> Open collector | <input checked="" type="checkbox"/> TTL | |

Reference Frequency

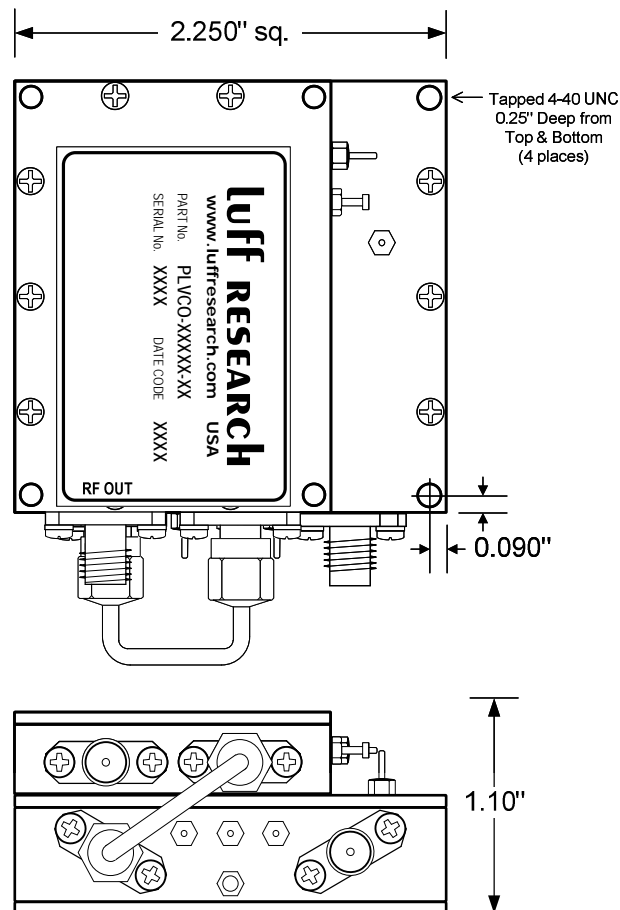
| | |
|----------------------------|-------------|
| Input reference frequency: | 10 MHz |
| Input level: | 0 dBm ±3 dB |

DC Power

| | |
|-----------------|--------|
| +5.5 Vdc ±0.5 V | 350 mA |
|-----------------|--------|

Environment

| | |
|--|----------------------|
| Operating temperature range (surface): | -10°C to 70°C |
| Storage temperature range: | -40°C to 85°C |
| Relative humidity (non-condensing): | 90%RH @ 40° |
| Shock: | 30 G / 10msec |
| Vibration: | 4 G / 20 Hz - 20 kHz |



NOTES:

1. This unit is available with an internal TCXO (Model No. PLVCO-25000-INT)
2. The Frequency adjustment is located on the bottom and is only applicable on units with internal reference.
3. The 'REF IN' connector is not provided on units with internal reference.

| | | |
|--|--|----------|
| luff RESEARCH, inc. | | |
| FLORAL PARK, NY | | |
| PHONE: (516) 358-2880 FAX: (516) 358-2757 | | |
| PRODUCT DATA SHEET | | |
| Phase-Locked Voltage Controlled Oscillator | | |
| Model: PLVCO-25000-10 | | 04/15/14 |